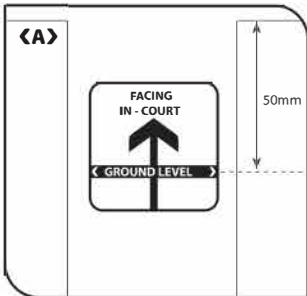
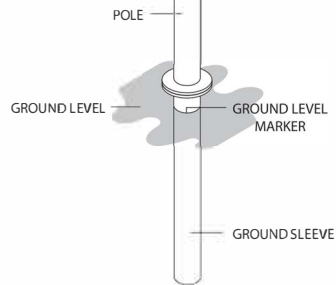
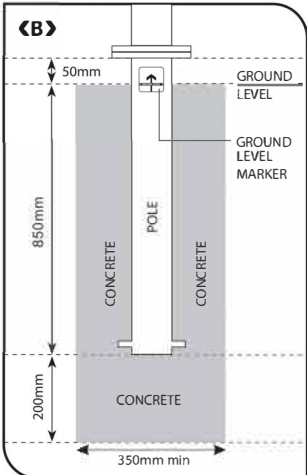


GROUND INSTALLATION:

GROUND LEVEL MARKER:

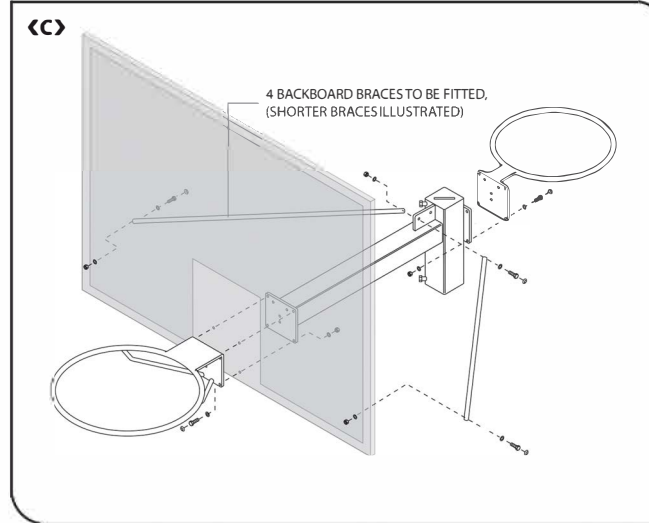


FOUNDATION DETAILS:



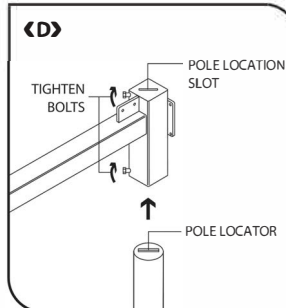
HOOP, BACKBOARD AND BRACKET ASSEMBLY:

ATTACHING THE HOOP, BACKBOARD AND BACKBOARD BRACING TO THE BRACKET



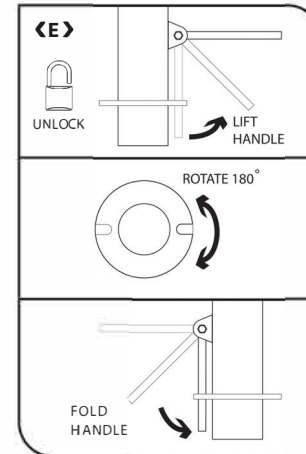
MOUNTING HOOP/BACKBOARD BRACKET ASSEMBLY TO POLE:

BRACKET - POLE LOCKNUTS



OPERATING INSTRUCTIONS

ROTATING THE POST TO CHANGE CODE



CONTENTS CHECKLIST:

- 1 x Pole
- 1 x Ground sleeve
- 1 x Backboard
- 1 x Backboard / hoop extension with bolts/bungs
- 4 x Backboard support braces with bolts/ bungs
- 1 x Basketball hoop/ net
- 1 x Netball hoop/ net

INSTALLATION INSTRUCTIONS:

GROUND INSTALLATION:

- Prepare the hole. **Note:** The distance from the backboard to the centre of the pole is 660mm. Install with the ground level marker facing in-court and at ground level. Ref. Diag<A>. **Note:** We recommend setting the ground sleeve with the pole inserted to ensure the pole is installed plumb. Ref. Diag
- It is critical that the Ground Sleeve Flange is installed to be 50mm above ground level** as showing in drawing

ASSEMBLY INSTRUCTIONS:

BACKBOARD / HOOP EXTENSION ASSEMBLY:

- Note:** If you have access to heavy lifting equipment such as a tractor or elevating work platform this assembly <C> can be done at ground level then lifted onto the pole as a whole. Otherwise, it should be assembled from a ladder or scaffold starting with the backboard/hoop extension on the pole.

- Fasten the basketball hoop through the backboard onto the backboard mount with M8 bolts, nuts and washers. Ref Diag<C>

- Fasten the backboard support braces to the backboard and extension. Ref Diag<C>
- Note:** The two longer top braces are left and right specific. The two shorter bottom braces are identical and can be placed on either side.

- Fasten netball hoop onto the netball hoop mount with M8 bolts, nuts and washers. Ref Diag<C>

MOUNTING HOOP/BACKBOARD BRACKET ASSEMBLY TO POLE:

- Lift backboard/hoop extension (assembly) onto the top of the pole, with either hoop facing the centre of court. Ref Diag<D>

- Twist backboard/hoop extension (assembly) either way until the slot at the top of the pole locates through the bracket. Once located, tighten the bolts to eliminate rattle. Ref Diag<D>

OPERATING INSTRUCTIONS:

CHANGING CODE:

- Unlock padlock if the post is locked. Lift post handle and rotate 180 degrees until other hoop is facing in-court. Fold handle away and lock padlock.

PLAY BALL!